

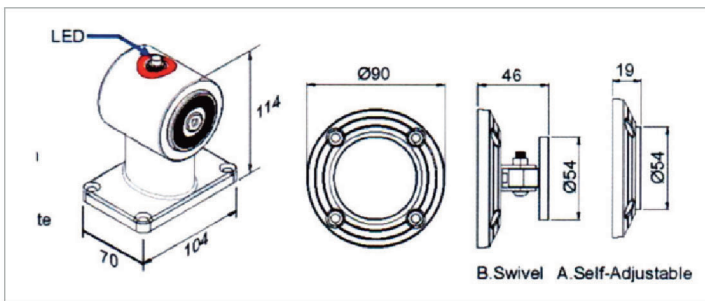
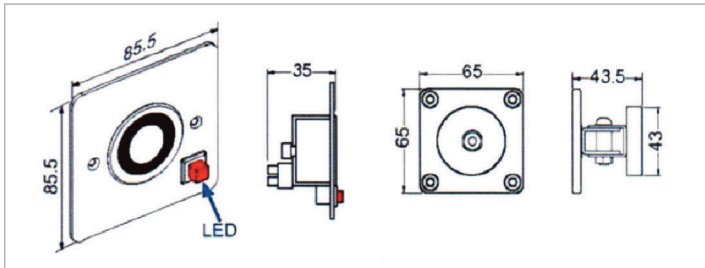
FIRE DOOR CONTROLS

ELECTROMAGNETIC DOOR HOLDERS

Wall and floor mounted electromagnetic door holders are used in conjunction with either an overhead door closer or floor spring. When connected to the building fire/smoke detection and alarm system they will allow a fire door in a high traffic location, such as a corridor, to be held open during normal use. In an emergency situation the holder is de-activated and the door closes under the action of the door closer. The door can always be pulled manually off hold open to allow the door to close.

- ▶ Fully compliant with BSEN 1155
- ▶ CE Marked
- ▶ Surface or semi recessed wall mounting
- ▶ Built-in LED button to simulate alarm conditions
- ▶ Swivel armature plates
- ▶ Floor mounting bracket option
- ▶ Max. holding force LG.GD640S – 70 lbs
LG.GD850F – 80lbs
- ▶ 1 year electrical guarantee

Item no.	Description	Finish
LG.GD640S	wall mounted -semi recessed	ss
LG.GD850F	floor mounted	black



GD640S



GD850F



Specification advice

The hold-open device should be sited at the same level as the closing device (or as close as practical) to minimise the stress placed on the door whilst it is being held open. A skirting mounted hold-open unit used in conjunction with an overhead door closer could induce the door to twist, causing the door to fail to close fully.

Power for the electromagnet must not be drawn from the fire alarm system except in alarm condition. A separate power supply is designed specifically for the electromagnetic units.

3 5 3 1 1 3

BS EN Classifications

Contract Range electromagnetic hold-open units have been fully tested to the requirements of BS EN 1155 and have been designated with the Classification no. as shown above.

Electrical requirements

Operating voltage- 24vDC (22v min | 30v max.)
60mA nominal (Note : 12VDC to order)

Note:

The door holder should not be positioned at such a point where the door can be held open at angles less than 65°